

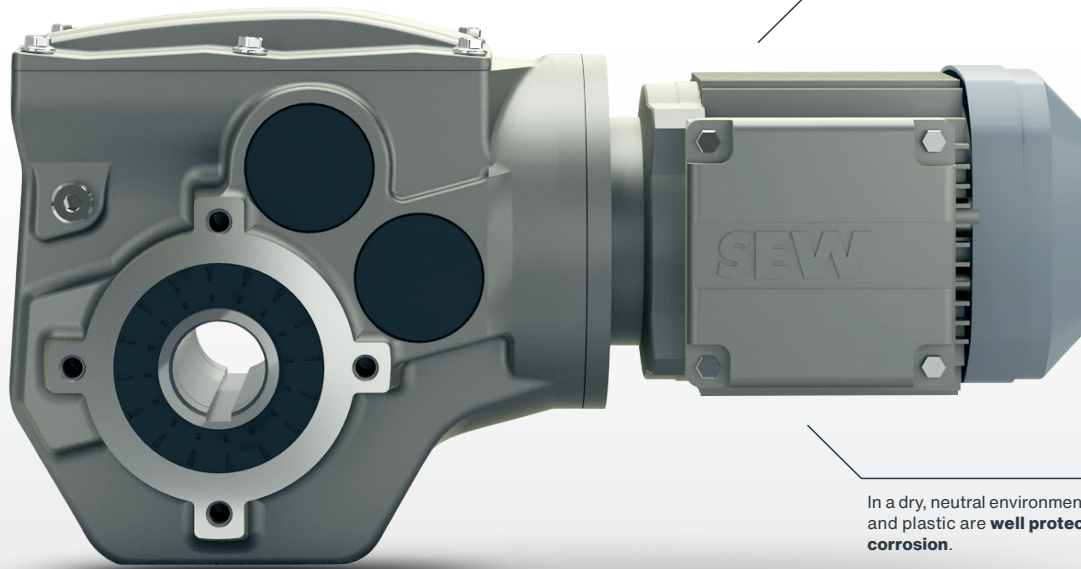
No coating. Brilliant for the environment.

Coating-free aluminum gearmotors in the ECO2 design –
ECOlogical, ECONomical, and uncompromisingly sustainable.

Aluminum reacts with oxygen to form a **thin protective layer.**

**Drives in the ECO2 design:
Efficient and reliable**

- In indoor spaces with a maximum humidity of 60%
- At temperatures of -20 °C up to a maximum of +60 °C
- The ECO2 design meets the requirements of ISO 12944 corrosivity category C1.



100%
coating-free
outer surfaces

In a dry, neutral environment, aluminum and plastic are **well protected from corrosion.**



Saving energy
by avoiding drying stages



No need for recoating
after repairs



Lower CO₂ emissions
in production



Re-use
uncoated parts



Fewer harmful emissions
thanks to omission of coatings



Fewer harmful substances
when recycling the drives

SEW-EURODRIVE, Inc.
220 Finch Road
Wellford, SC 29385
P: (864) 439-7537
cslyman@seweurodrive.com

www.seweurodrive.com

The ECO2 design is available for the following housing and shaft designs, and for all additional electrical features:



- Helical gear units in sizes 07, 17, and 27
- Parallel-shaft helical gear units in size 27
- Helical-bevel gear units in sizes 19 and 29
- SPIROPLAN® right-angle gear units in sizes 10, 20, and 30 plus 19, 29, 39, 49, and 59



DR2S.. and DRN.. motors in sizes 56, 63, 71, 80, and 90